

PRODUCT SPECIFICATIONS

ITEM NUMBER	MODEL DESCRIPTION	MAX. PRESSURE		VOLTAGE	FREQUENCY	HP	kW	NET WT.		AMPS	TANK SIZE
		PSI	BAR					lbs.	kg		
1068770	106R-25B	116	8	120 VAC	60Hz	.75	.56	80	36	6.6	25L

NOTES:

1. TECHNICAL DATA SUBJECT TO CHANGE WITHOUT NOTICE
2. ALL DIMENSIONS ARE FOR REFERENCE ONLY.

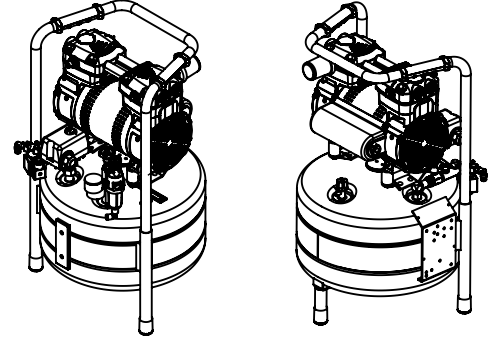
MAX. SOUND 69 dB(A), 23 SONES

AMBIENT: 5/40 °C

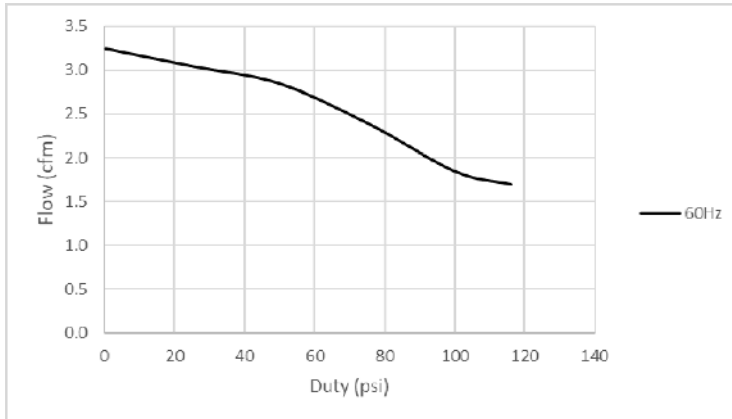
RELATIVE HUMIDITY: 20-80% NON CONDENSING

ENVIRONMENT: CLEAN DUST FREE

REGULATORY: cULus



PRODUCT PERFORMANCE:



PRODUCT DIMENSIONS:

