

TECHNICAL DATA SHEET

ITEM NUMBER	MODEL DESCRIPTION	MAX. PRESSURE		VOLTAGE	FREQUENCY	HP	kW	NET WT.		AMPS	TANK SIZE
		PSI	BAR					lbs.	kg		
1069240	2x106R-40M	116	8	120VAC	60Hz	1.5	1.12	238	108	14.1	40L

NOTES:

1. TECHNICAL DATA SUBJECT TO CHANGE WITHOUT NOTICE
2. ALL DIMENSIONS ARE FOR REFERENCE ONLY.

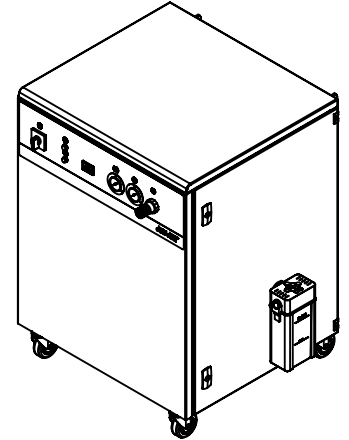
MAX SOUND 60 dB(A), 13 SONES

NORMAL AMBIENT 5/40 °C

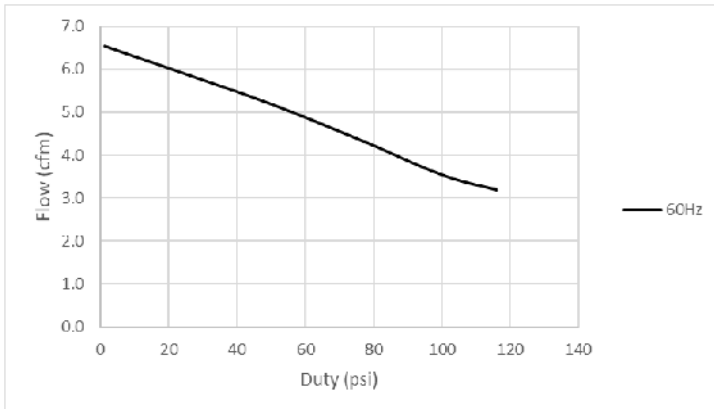
RELATIVE HUMIDITY 20-80% NON-CONDENSING

ENVIRONMENT CLEAN / DUST FREE

REGULATORY cULus



PRODUCT PERFORMANCE:



PRODUCT DIMENSIONS:

