

TECHNICAL DATA SHEET

MODEL NO.	MAX. PRESSURE		VOLTAGE	FREQUENCY	HP	kW	NET WT.		AMPS	TANK SIZE
	PSI	BAR					lbs.	kg		
1069060 (106R-4M)	116	8	120VAC	60Hz	.75	.56	102	46	7.0	4L

NOTES:

1. TECHNICAL DATA SUBJECT TO CHANGE WITHOUT NOTICE
2. ALL DIMENSIONS ARE FOR REFERENCE ONLY.

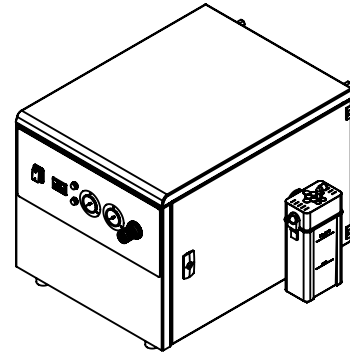
MAX SOUND 58 dB(A), 14 SONES

NORMAL AMBIENT 5/40 °C

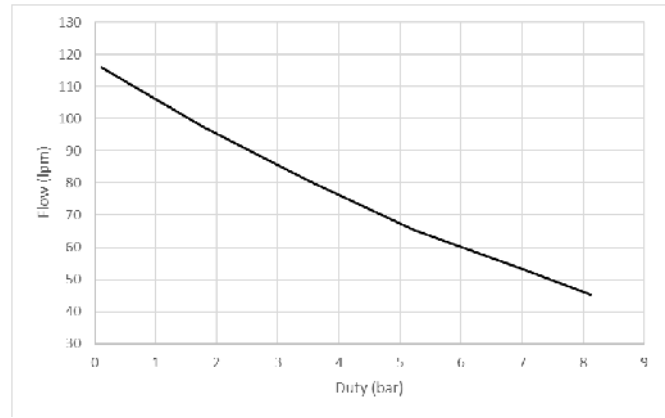
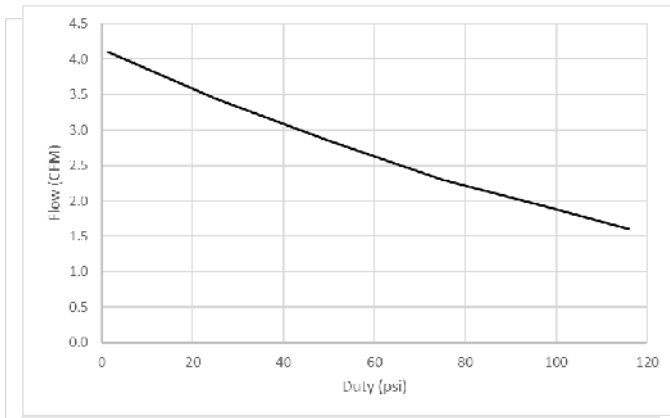
RELATIVE HUMIDITY 20-80% NON CONDENSING

ENVIRONMENT CLEAN / DUST FREE

REGULATORY cULus



PRODUCT PERFORMANCE:



PRODUCT DIMENSIONS:

