

# Product Specifications



Post Office Box 97  
Benton Harbor, Michigan  
Ph: 269/926-6171  
Fax: 269/925-8288

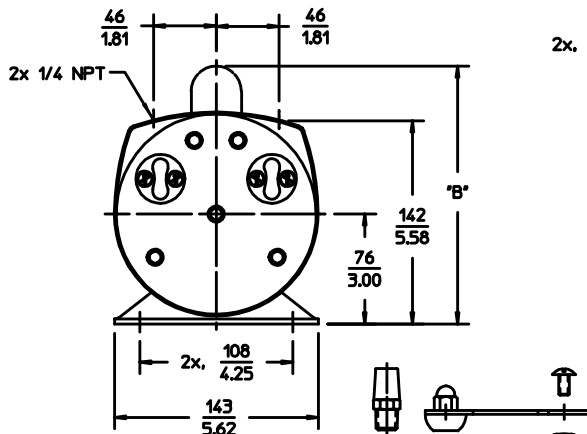
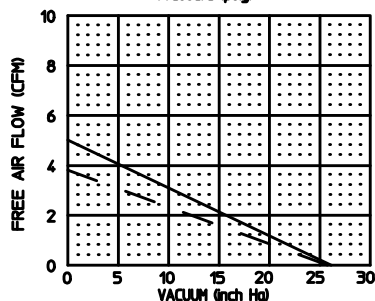
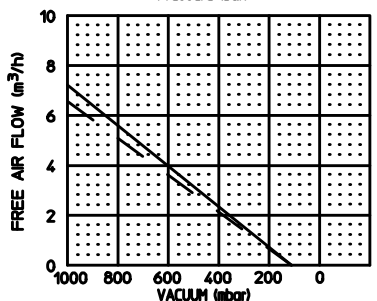
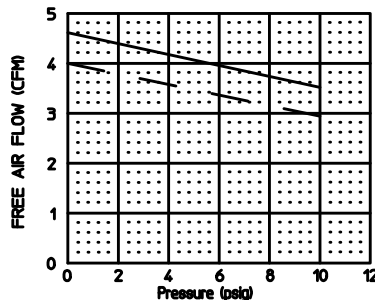
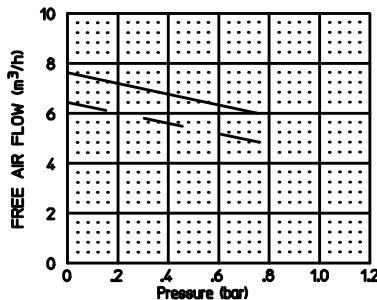
Model Number	Motor Voltage	RPM		HP	kW	Net Wt.		"A" DIM.	"B" DIM.
		60 cycle	50 cycle			lbs.	kg		
0523-101Q-G21DX	220-250	N/A	1425	.25	0.18	32	14.5	338 13.31	N/A
0523-101Q-G314DX	230	1725	N/A	.25	0.18	32	14.5	327 12.88	N/A
0523-540Q-G21DX	220-250	N/A	1425	.25	0.18	32	14.5	338 13.31	N/A
0523-540Q-G314DX	230	1725	N/A	.25	0.18	32	14.5	327 12.88	N/A
0523-101Q-G582DX	100-115/ 100-110	1725	1425	.33	0.25	30	13.6	336 13.22	N/A
0523-101Q-G627DAX	220	1725	1425	.25	0.18	34	15.7	339 13.36	198 7.80
0523-536Q-G582DX 0523-106Q-G582DX 0523-102Q-G582DX	100-115/ 100-110	1725	1425	.33	0.25	30	13.6	336 13.22	N/A
0523-102Q-G588DX 0523-102Q-SG588DX 0523-106Q-G588DX	100-110/220-240 115/230	1725	1425	.33	0.25	30	13.6	340 13.38	N/A
0523-540Q-G588DX	100-110/220-240 115/230	1725	1425	.33	0.25	30	13.6	340 13.38	N/A

PART NO.:  
STD210

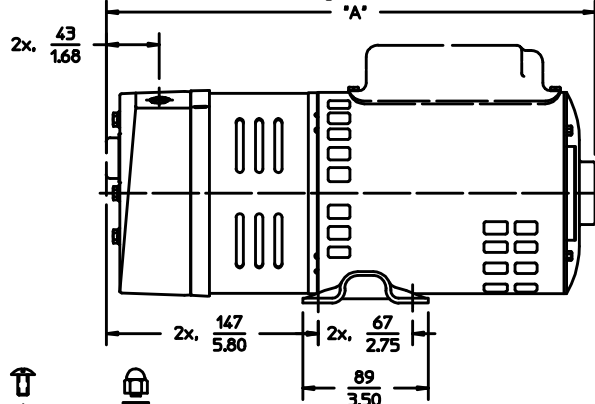
REVISION:  
J

SOUND LEVEL LESS THAN 70 dB(A)  
NORMAL AMBIENT 1°C. - 40°C.  
RELATIVE HUMIDITY 8% - 100% NON CONDENSING  
ENVIRONMENT CLEAN DUST FREE

TECHNICAL DATA SUBJECT TO CHANGE WITHOUT NOTICE.  
SOLID LINE INDICATES 60 Hz. PERFORMANCE  
DASHED LINE INDICATES 50 Hz. PERFORMANCE  
MUFFLER IS SHIPPED ATTACHED FOR 0523-540Q-G588DX.



MUFFLER & FOOT SUPPORT ASM.  
(SHIPPED UNATTACHED)



NOTE: FOOT SUPPORT ASM. NOT SUPPLIED WITH 0523-540Q-G21DX, -540Q-G314DX, -540Q-G588DX MODELS  
NOTE: FOOT SUPPORT ASM. SUPPLIED ATTACHED TO MODEL 0523-536Q-G582DX