

PRODUCT SPECIFICATIONS

MODEL NO.	MOTOR	RPM		AMPS		HP	KW	NET WT.		CAPACITOR	
		60HZ	50HZ	60HZ	50HZ			lbs.	kg	mfd.	VOLT
86R142-P001B-N270X	100-120/200-240 (60Hz) 100-120/200-240 (50Hz)	1725	1425	2.8/1.4	3.5/1.8	1/4	0.19	14.9	6.8	30	370

SOUND LEVEL LESS THAN 65 db(A)

NORMAL AMBIENT +5 °C - +40 °C

RELATIVE HUMIDITY 20% - 80%

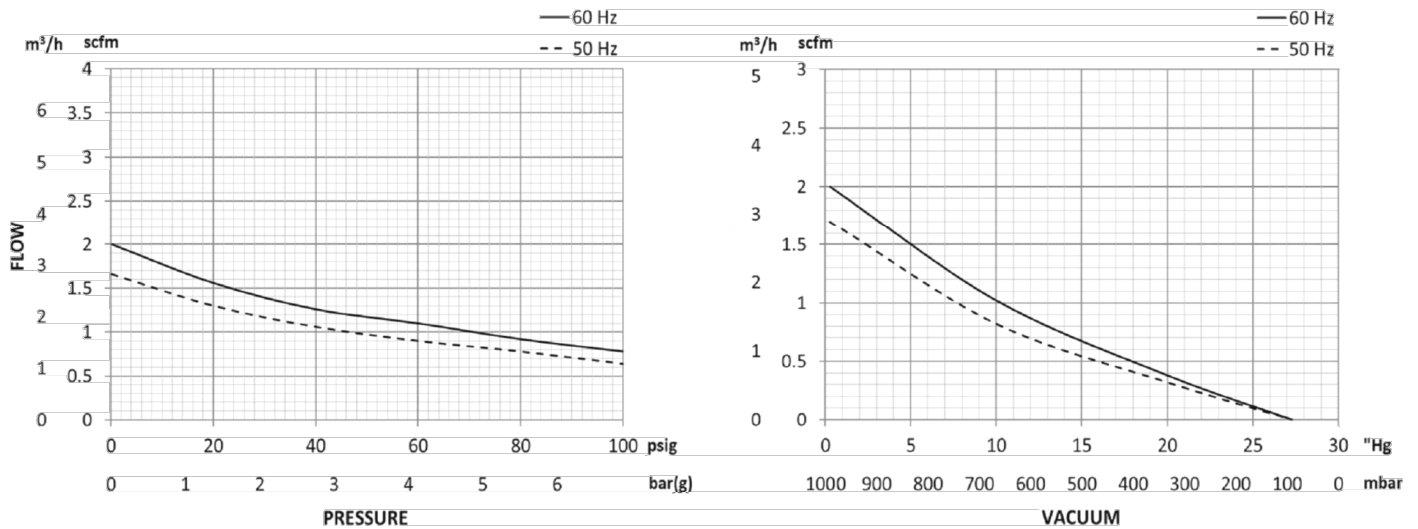
ENVIRONMENT CLEAN DUST FREE

NOTES:

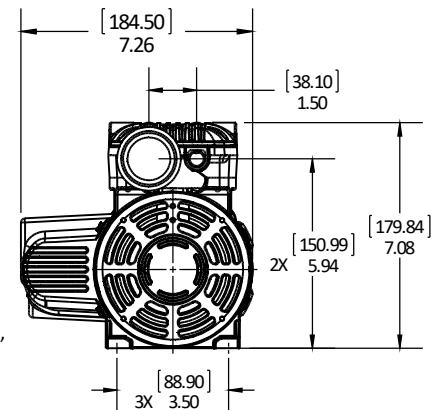
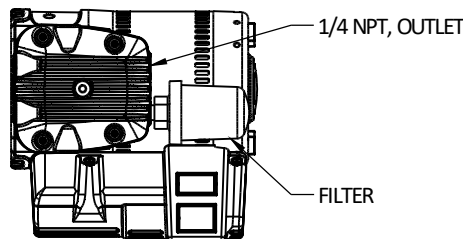
1. TECHNICAL DATA SUBJECT TO CHANGE WITHOUT NOTICE.
2. THIS PUMP MUST BE INSTALLED IN AN ENCLOSURE.
3. ALL DIMENSIONS ARE FOR REFERENCE ONLY.
4. KIT P/N: K961.
5. INCLUDES AN ELECTRICAL PARTS KIT THAT IS SHIPPED UNATTACHED.

PRODUCT PERFORMANCE:

50Hz CURVES BASED ON 110V.
 60Hz CURVES BASED ON 115V.



PRODUCT DIMENSIONS:



WIRING DIAGRAM

