



GAST MANUFACTURING, INC.
 A Unit of IDEX Corporation
 Post Office Box 97
 Benton Harbor, Michigan
 Ph: 269/926-6971
 Fax: 269/925-8288

Product Specifications

Model Number	Motor	RPM		HP	kW	Net Wt.	
		60 cycle	50 cycle			lbs.	kg
1HAA-13-M200X	115-1	1725	-----	1/4	0.19	25	11.3
1HAA-16-M200X	115-1	1725	-----	1/4	0.19	25	11.3

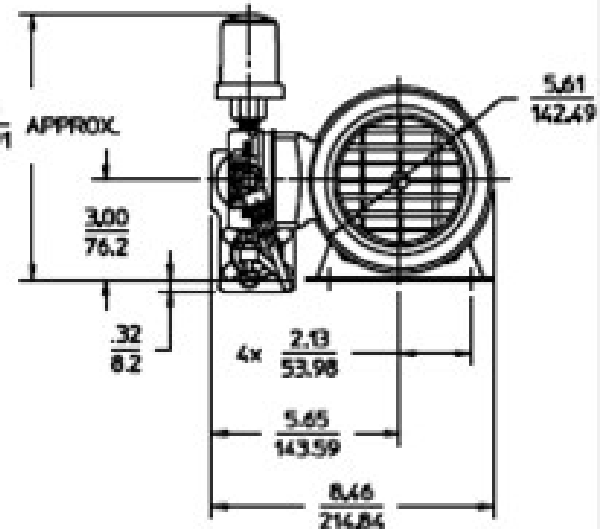
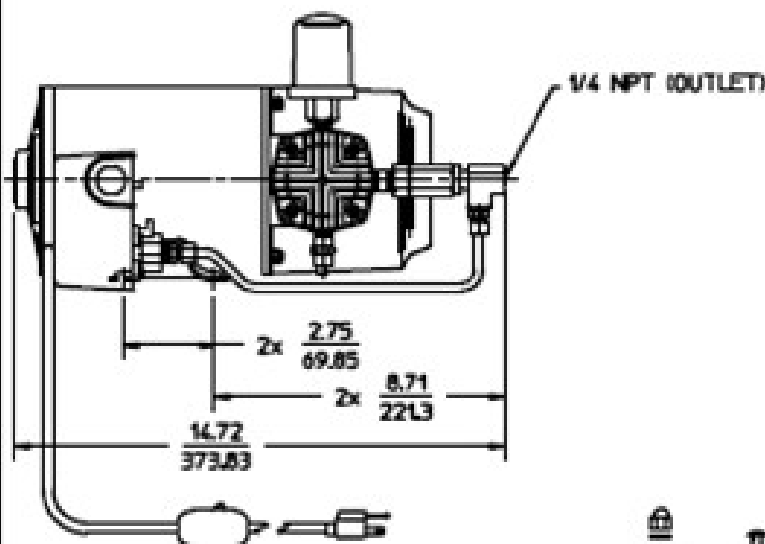
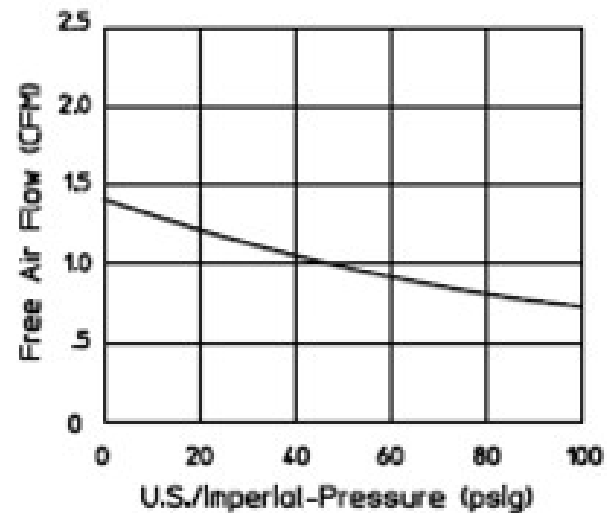
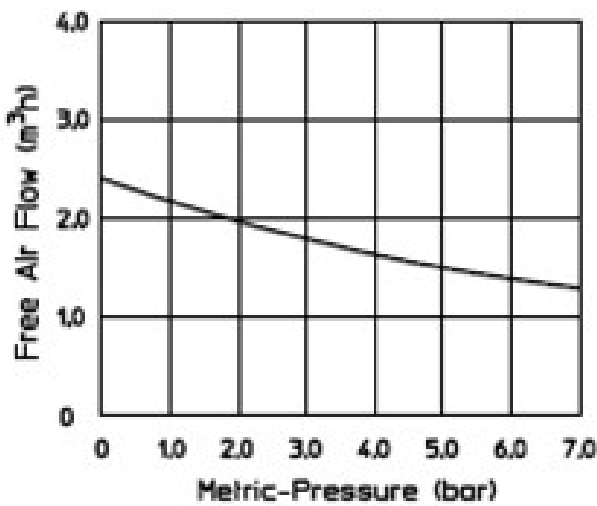
PART NUMBER: RTD250
 REVISION: D

SOUND LEVEL Less than 70 dB(A)
 NORMAL AMBIENT +5 degC - +40 degC
 RELATIVE HUMIDITY 20% - 80%
 ENVIRONMENT Clean Dust Free

NOTES:

- 1HAA-16-M200X DOES NOT HAVE SWITCH, FILTER OR HOSE ASM.
- * TECHNICAL DATA SUBJECT TO CHANGE WITHOUT NOTICE.

PRODUCT PERFORMANCE



10 FOOT CORD/SWITCH/PLUG ASM

72" LONG HOSE ASM



FOOT SUPPORT ASM
 SHIPPED UNATTACHED

7/16-20 THREAD

1/4 NPT

