

EXCLUSIVE NEW 120R ROCKING PISTON COMPRESSOR

Delivers higher air flow faster and with less energy consumption than the competition.

The new 2 horsepower Gast 120R rocking piston compressor is a rugged, reliable workhorse – and the most powerful rocking piston compressor on the market. It's built from the ground up to meet your system's pneumatic requirements in a smaller footprint, deliver a long life of outstanding performance, and lower your total cost of ownership.



The benefits of the Gast 120R make it an all-around superior solution for the most challenging pneumatic applications.



MORE AIR FLOW AT PRESSURE WITH LESS AMP DRAW.

The Gast 120R delivers airflow capacity up to 12 cfm and pressure to 145 psi and does it using less energy – you get higher performance in an air compressor that costs less to run.



MEETS LARGER PRESSURE REQUIREMENTS IN LESS SPACE.

The Gast 120R is more powerful, yet smaller and lighter, than any other twin cylinder rocking piston air compressor on the market.



ABILITY TO REPLACE MULTIPLE LESS POWERFUL COMPRESSORS WITH ONE UNIT.

The 2 HP Gast 120R meets pneumatic requirements faster than multiple compressors do. With fewer components to maintain, the 120R delivers higher performance with a lower total cost of ownership.

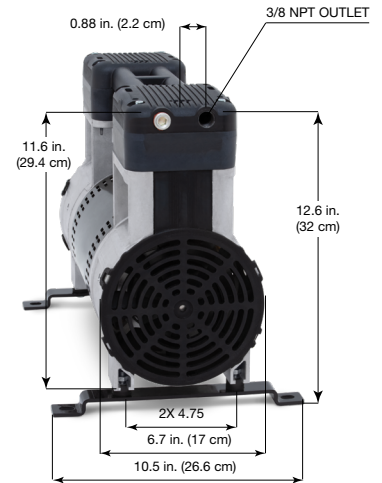
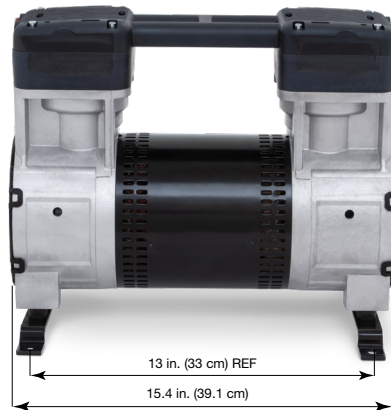


THE GAST STANDARD OF SUPERIOR QUALITY.

Higher performance, lower total cost of ownership plus the reliability, durability and long life that Gast products are known for – you get it all with the Gast 120R.



SCALE 1:3



EASIER SERVICEABILITY.

With fewer moving parts and an easy-to-service seal, the Gast 120R is simpler to maintain and service than other compressors.



SIMPLE INTEGRATION.

The Gast 120R has an adjustable bracket so it can be installed on various mounting footprints — making it a simple drop-in replacement for previous generation Gast & Jun-Air air compressors.



MEETS UL 1450 AND UL 60601-1* REGULATORY STANDARDS.

The Gast 120R has been inspected and tested to meet the strictest safety requirements for medical equipment — you can spec it with confidence.



WORKS ANYWHERE YOUR EQUIPMENT DOES.

The Gast 120R can accommodate applications globally.

	120R689-P101-N800NX
Max Continuous Pressure	145 psi [10 bar]
Horsepower	2
Max Amps	9.5 @ 230V
Rated Voltage, 60 Hz	200-240V
Rated Voltage, 50 Hz	200-230V
Open Air Flow	12.0 cfm [339.8 lpm]
Air Flow @ 60 psi [4.1 bar]	8.1 cfm [229.4 lpm]
Air Flow @ 145 psi [10 bar]	4.6 cfm [130.3 lpm]
Length	15.4 in [39.1 cm]
Width	6.7 in [17.0 cm]
Height	12.6 in [32.0 cm]
Weight	59 lb. [26.8 kg]
Service Life @ 125 psi [hours]	6,000
Product Life @ 125 psi [hours]	20,000
Sound dB[A]	75



GAST MANUFACTURING, INC.
 A Unit of IDEX Corporation
 2300 M-139 Highway, Benton Harbor, MI 49023
 Office: 269-926-6171 | Tech: 269-934-1130
www.gastmfg.com