

Post Office Box 97
 Benton Harbor, Michigan
 Ph: 269/926-6171
 Fax: 269/925-8288

PART NUMBER:

STD317A

REV.

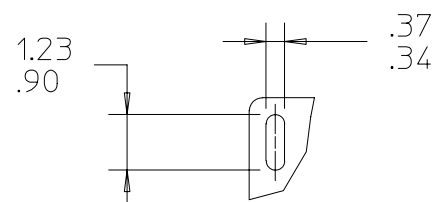
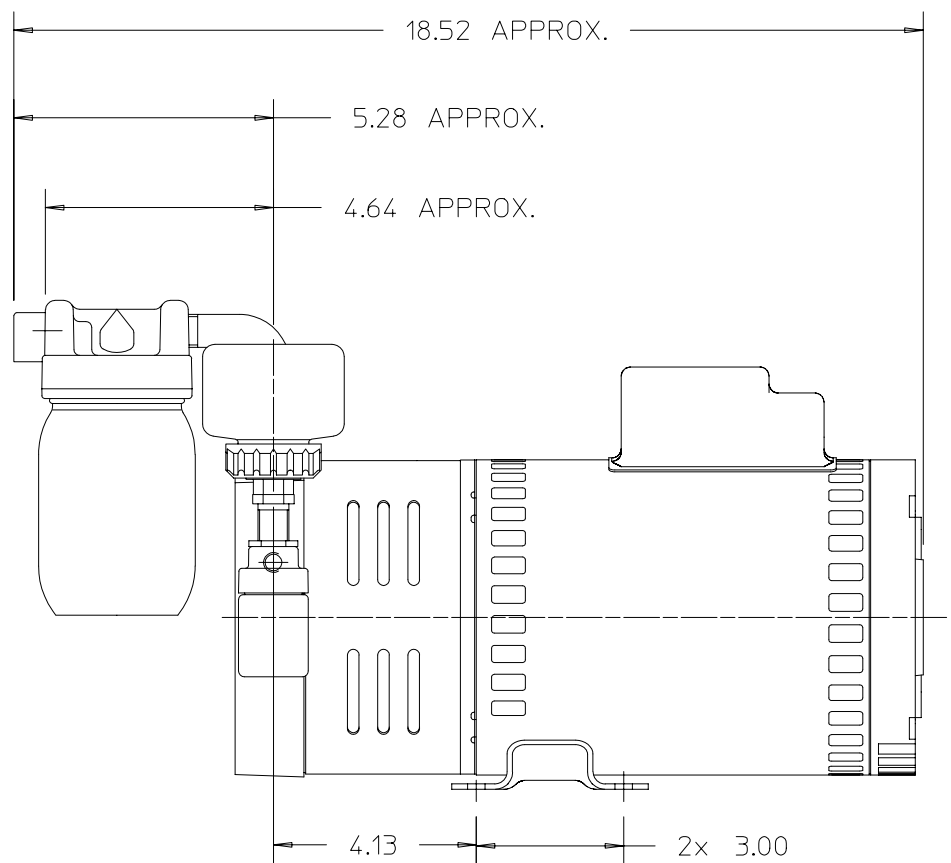
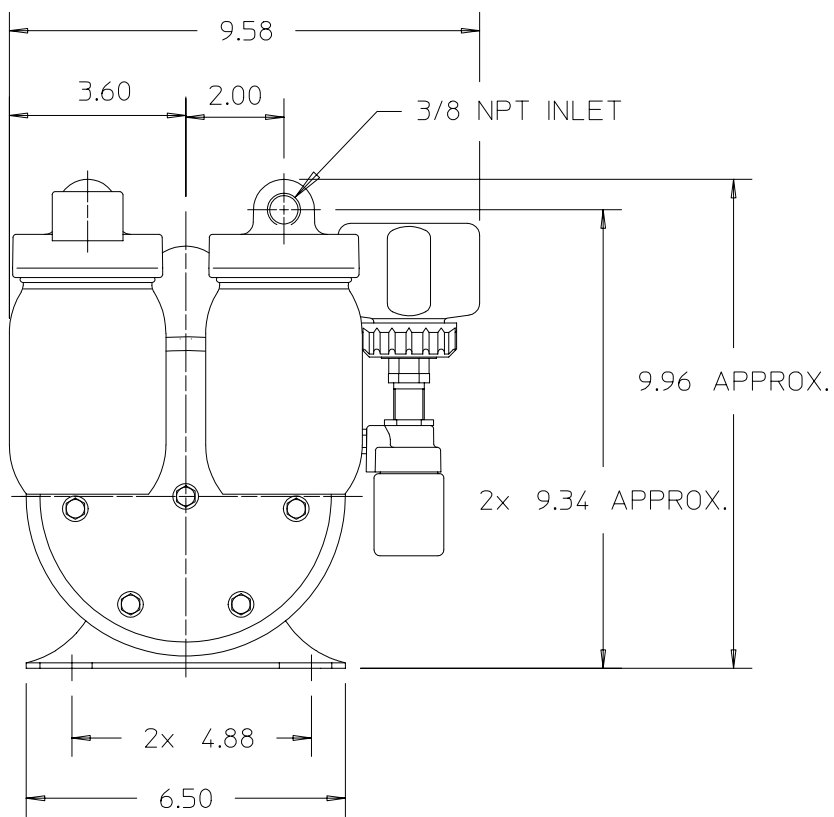
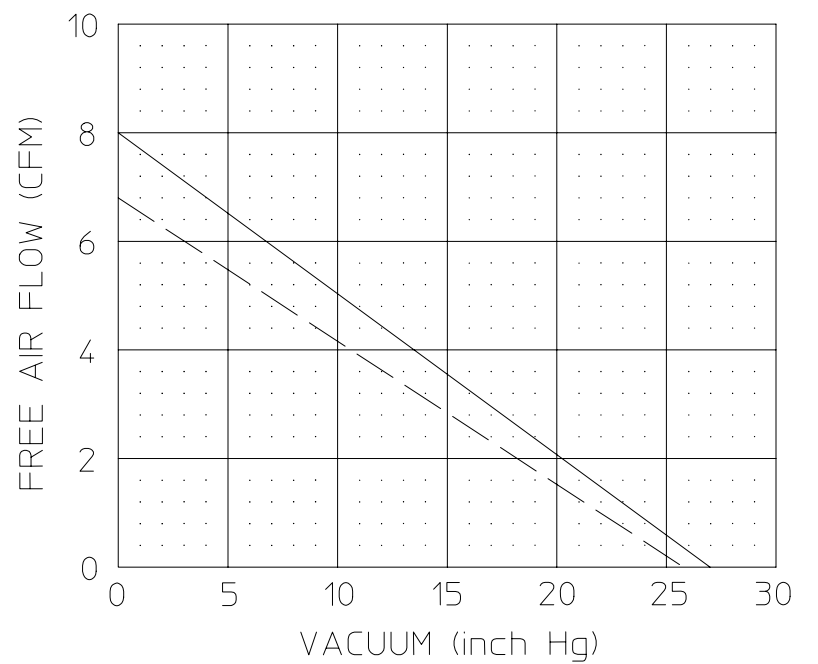
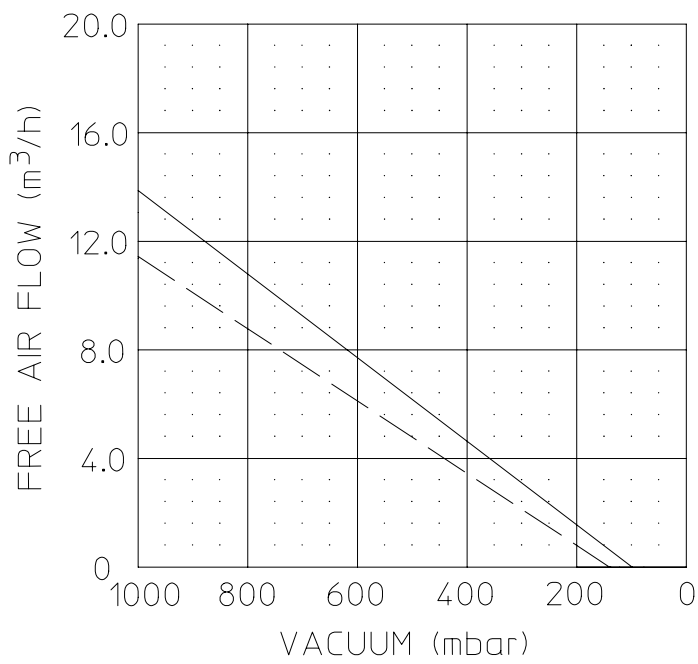
A

Model Number	Motor Voltage	RPM		HP	kW	Net Wt.	
		60 cycle	50 cycle			lbs.	kg
0823-V2-G608NEX	100-115/208-230 100-110/220-240	1725	1425	3/4	0.56	54	24,50

SOUND LEVEL LESS THAN 70 dba
 NORMAL AMBIENT 1°C. - 40°C.
 RELATIVE HUMIDITY 8% - 100% NON CONDENSING
 ENVIRONMENT CLEAN DUST FREE

* TECHNICAL DATA SUBJECT TO CHANGE WITHOUT NOTICE.

SOLID LINE IS FOR 60 CYCLE PERFORMANCE.
 DASHED LINE IS FOR 50 CYCLE PERFORMANCE.



SLOT DETAIL (TYP. 4)