



GAST MANUFACTURING, INC.  
 A Unit of IDEX Corporation  
 Post Office Box 97  
 Benton Harbor, Michigan  
 Ph: 269/926-6171  
 Fax: 269/925-8288

PART NUMBER:

RTD738

REV.:

A

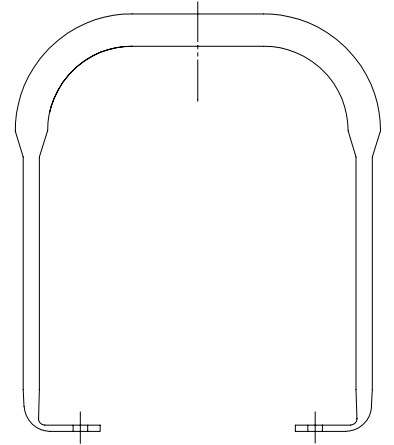
## Product Specifications

Model Number	Motor	RPM		HP	kW	Net Wt.	
		60 cycle	50 cycle			lbs.	kg
1HAB-25-M100X	115	1725		1/6	0,12	17	7,7

### NOTES:

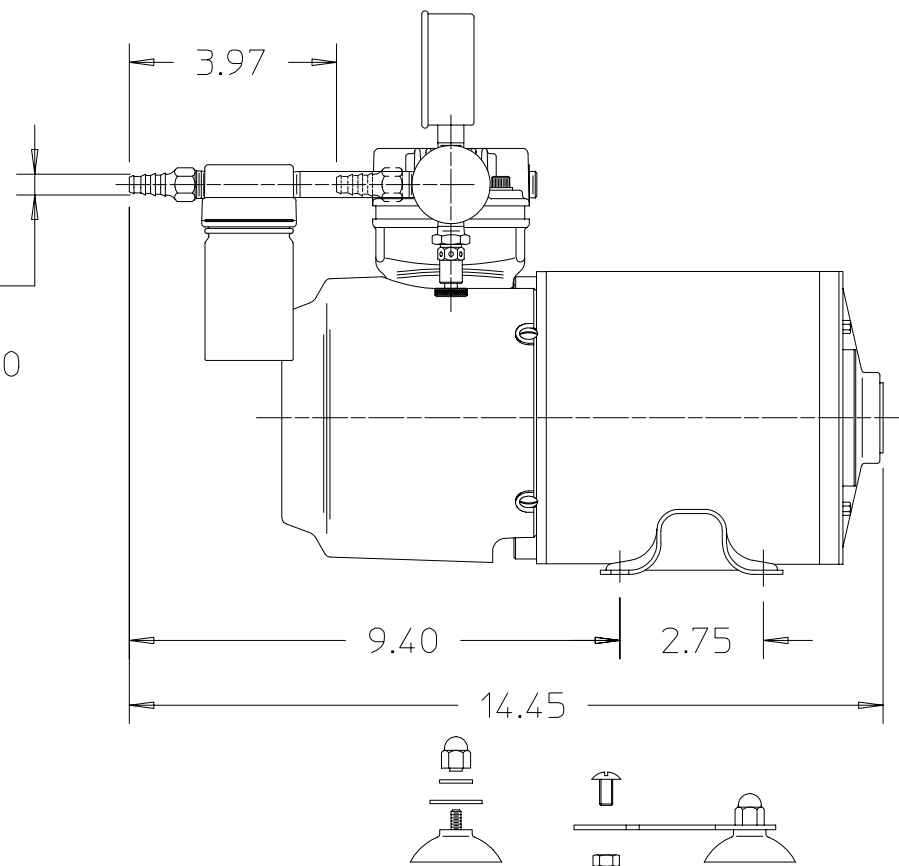
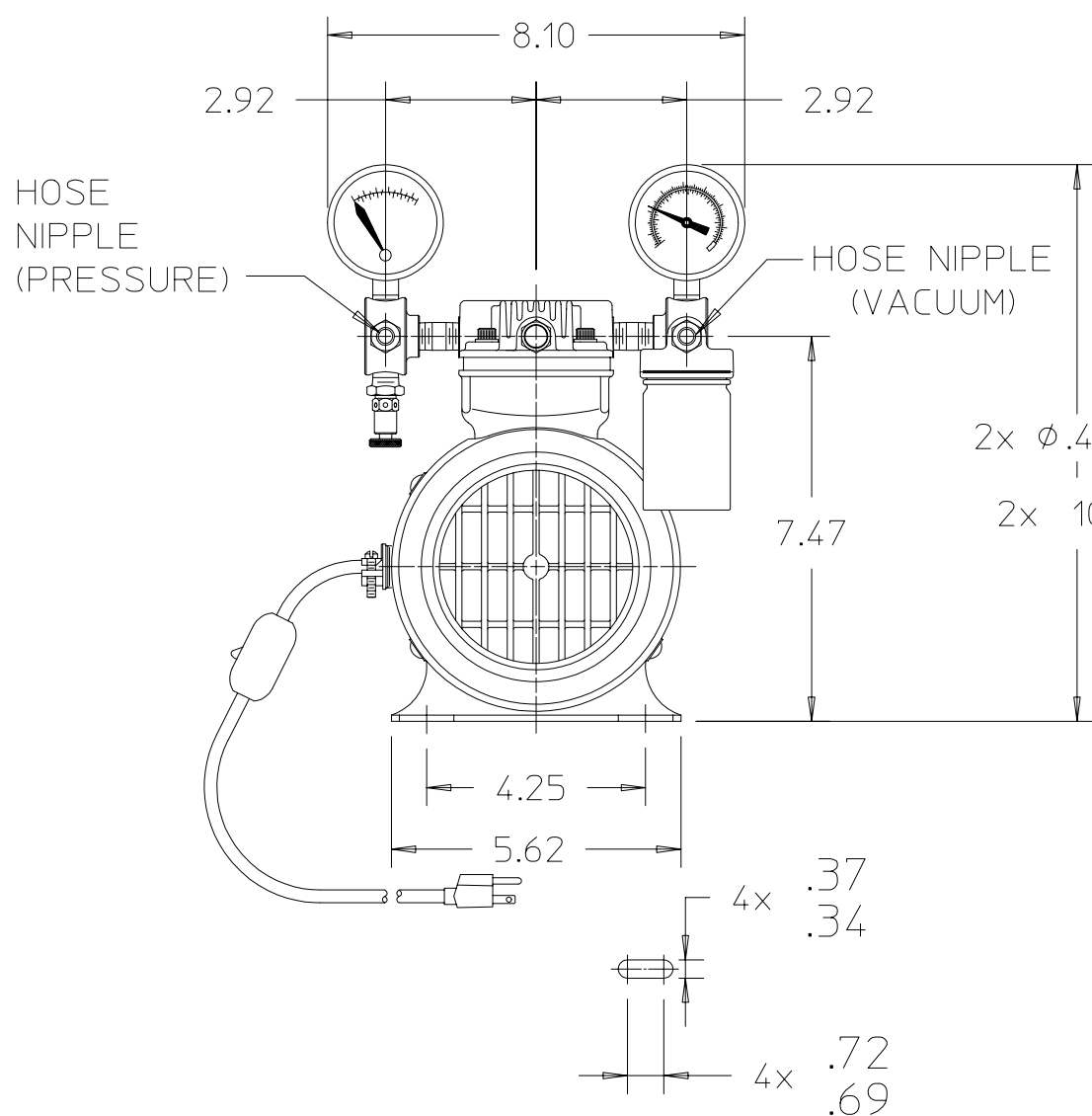
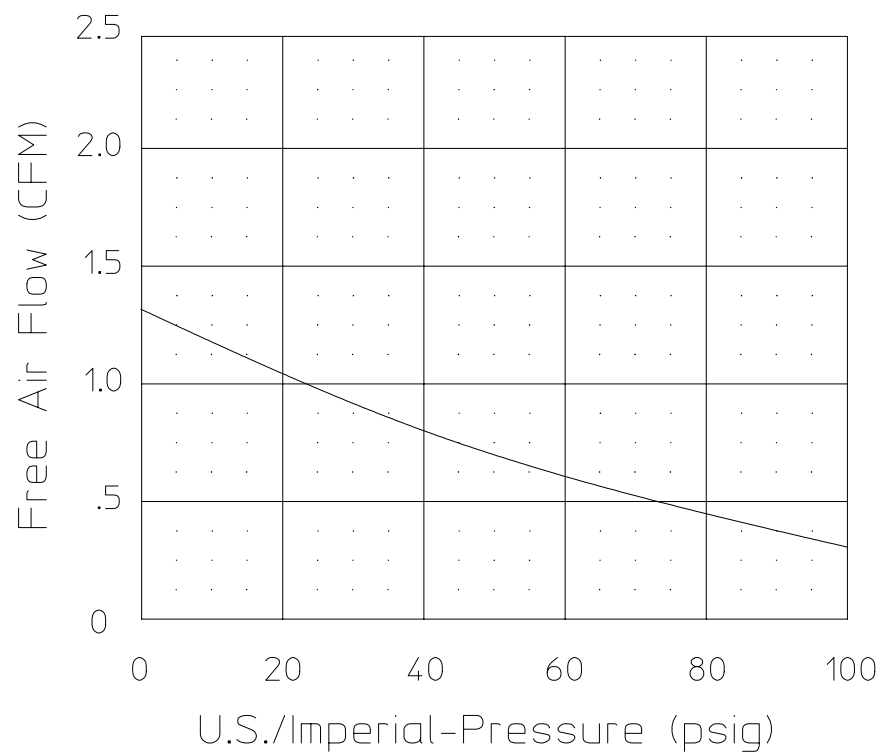
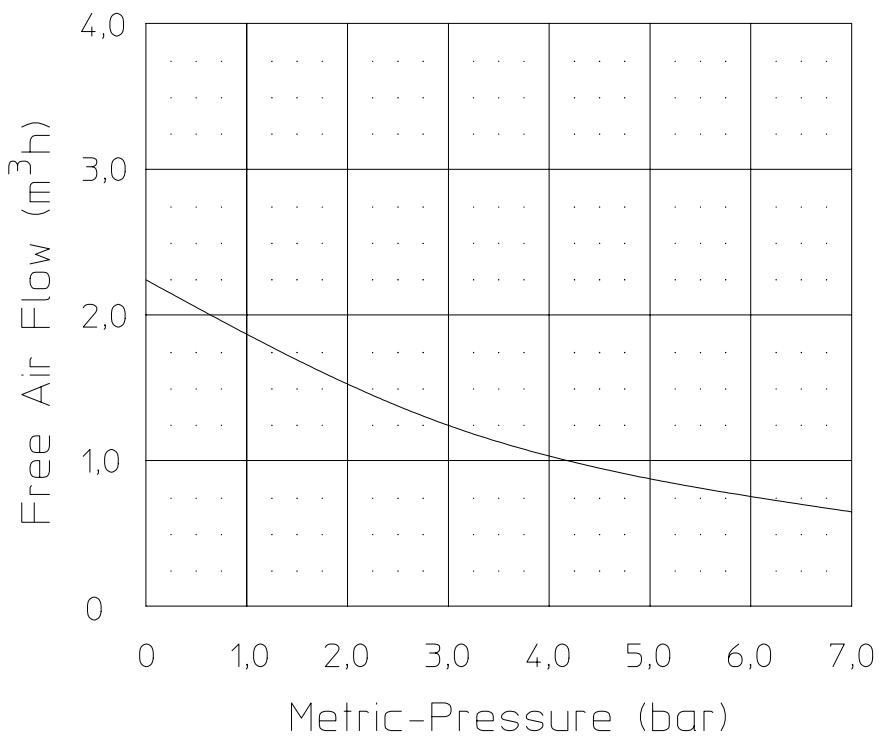
1. TECHNICAL DATA SUBJECT TO CHANGE WITHOUT NOTICE.
2. #18 GA. 10' LONG CORD, SWITCH & PLUG ASSEMBLY  
 NEMA 5-15P PLUG & SINGLE POLE SWITCH

SOUND LEVEL LESS THAN 70 dB(A)  
 NORMAL AMBIENT +5 degC - +40 degC  
 RELATIVE HUMIDITY 20% - 80%  
 ENVIRONMENT Clean Dust Free



HANDLE

## PRODUCT PERFORMANCE



FOOT SUPPORT ASM.