



GAST MANUFACTURING, INC.  
 A Unit of IDEX Corporation  
 Post Office Box 97  
 Benton Harbor, Michigan 49023  
 Ph: 269/926-6171  
 Fax: 269/925-8288

PART NUMBER:

RTD384

REV.

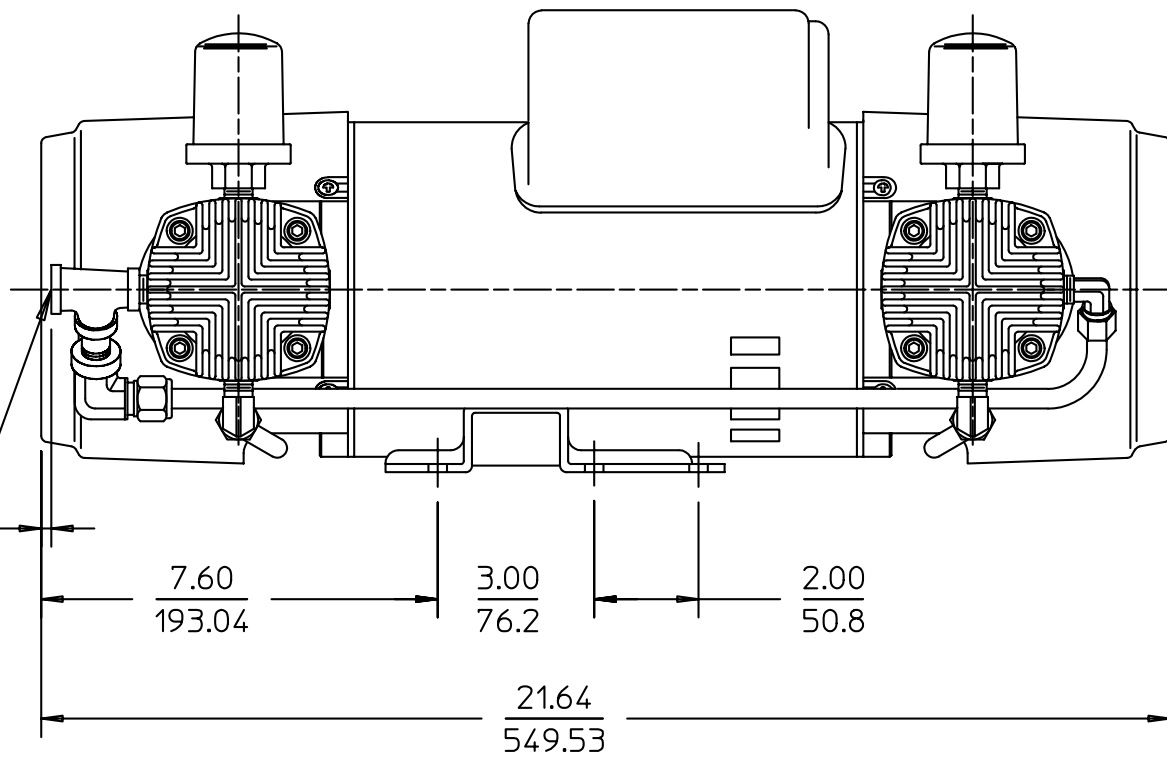
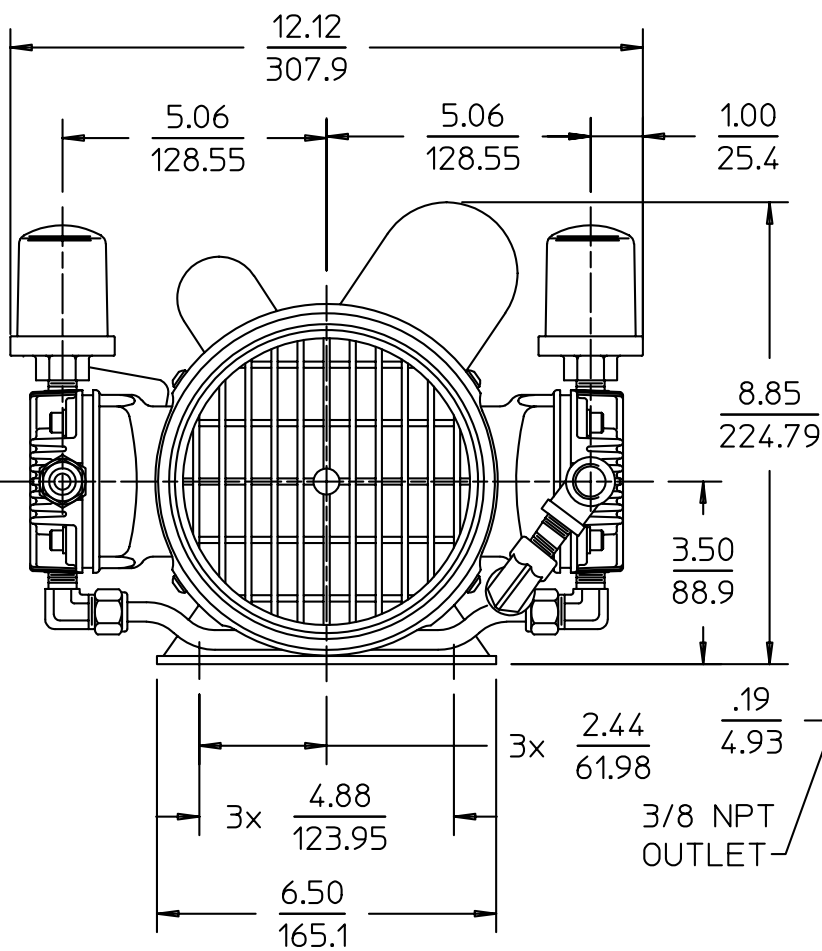
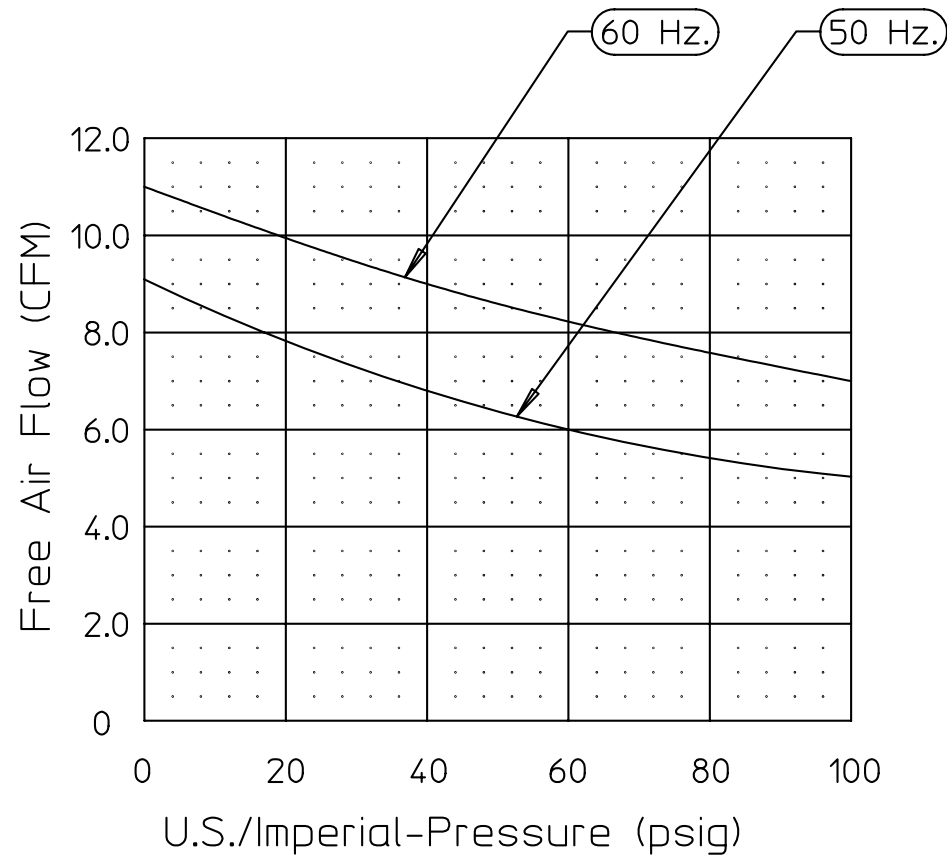
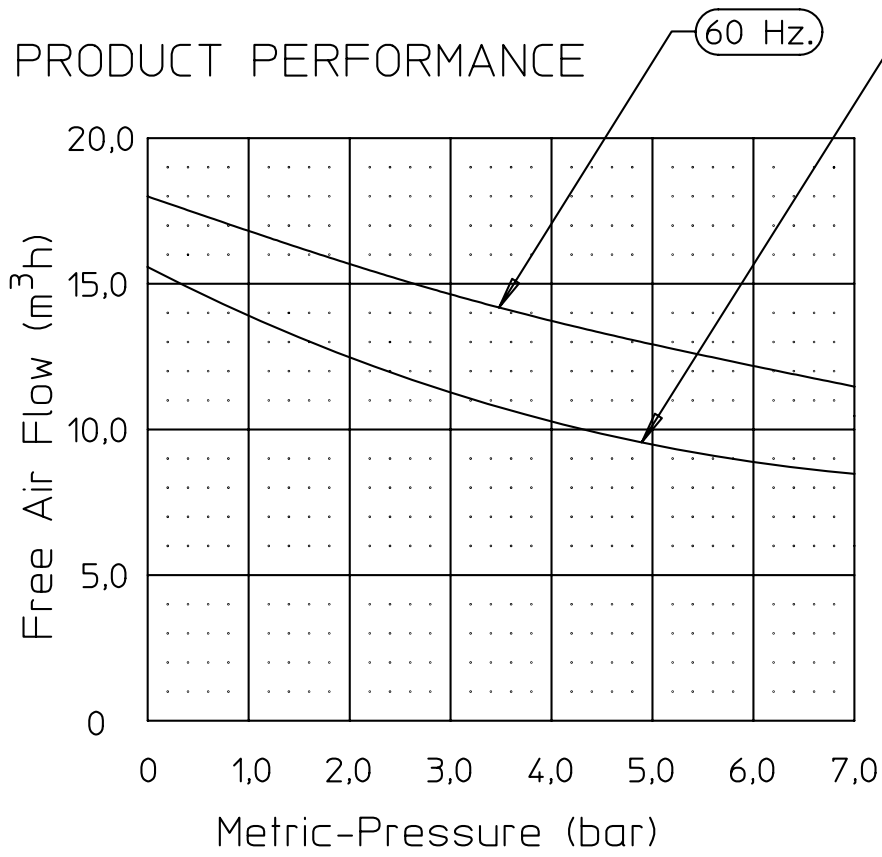
D

Product Specifications

Model Number	Motor	RPM		HP	kW	Net Wt.	
		60 cycle	50 cycle			lbs.	kg
8HDM-10-M850X	115/230-1 110/220-1	1725	1425	2	1,5	80.5	36,50

SOUND LEVEL 84 dB(A)  
 NORMAL AMBIENT +5 degC - +40 degC  
 RELATIVE HUMIDITY 20% - 80%  
 ENVIRONMENT Clean Dust Free

PRODUCT PERFORMANCE



NOTES:

1. ALL DIMENSIONS ARE IN U.S. IMPERIAL (inches), METRIC (mm).
2. ALL DIMENSIONS ARE REFERENCE USE ONLY.
3. TECHNICAL DATA SUBJECT TO CHANGE WITHOUT NOTICE.

