



Post Office Box 97
 Benton Harbor, Michigan
 Ph: 616/926-6171
 Fax: 616/925-8288

PART NUMBER:

LTD122

REV.

B

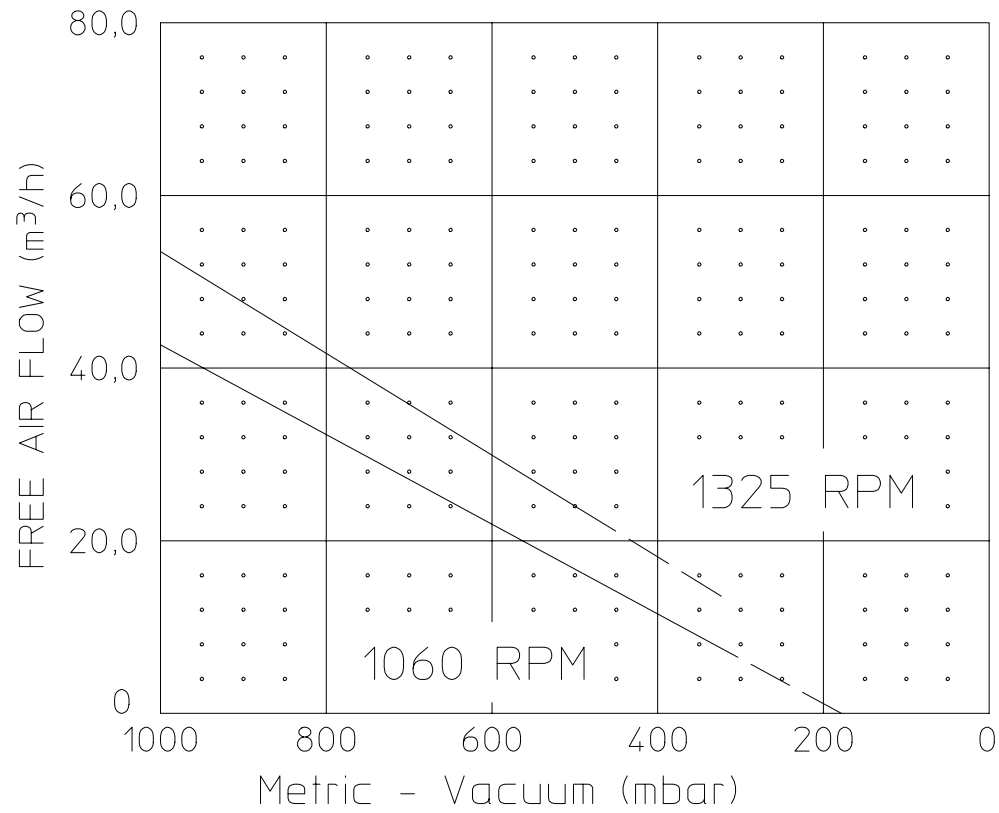
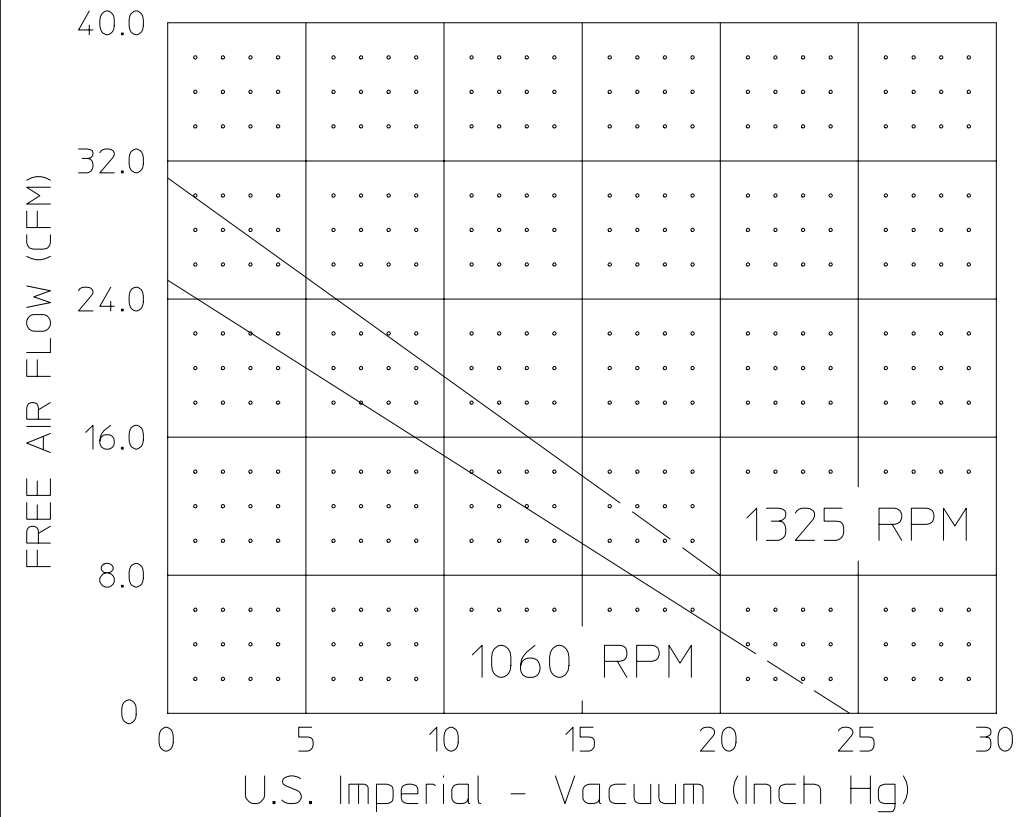
Product Specifications

| Model Number | MAX. VAC. | | RPM | HP | kW | Net Wt. | |
|--------------|-----------|--------|------|-----|-----|---------|-------|
| | mbar | In. Hg | | | | lbs. | kg |
| 3040-V115A | 500 | 15" | 1325 | 2.0 | 1,5 | 70 | 31,82 |
| 3040-V115A | 350 | 20" | 1060 | 1.5 | 1,1 | 70 | 31,82 |
| * 3040-V158 | 500 | 15" | 1325 | 2.0 | 1,5 | 70 | 31,82 |

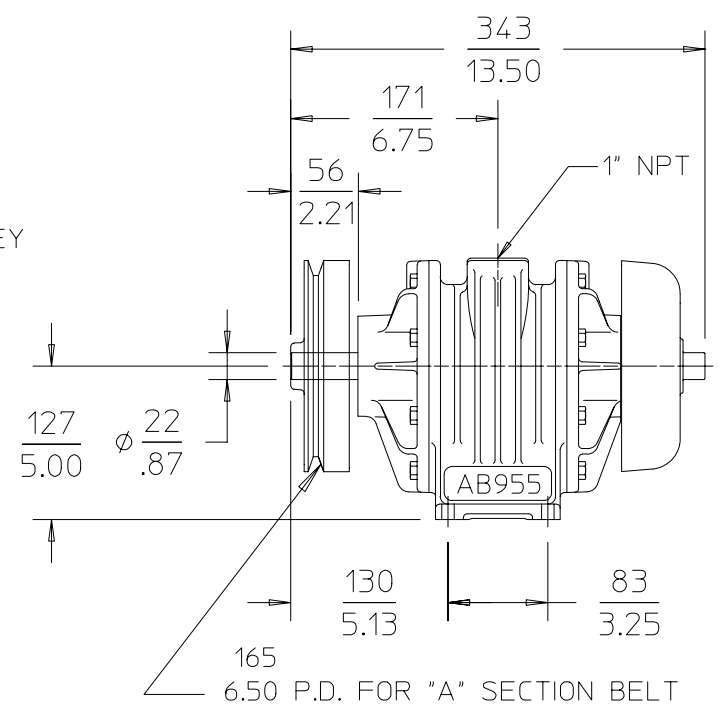
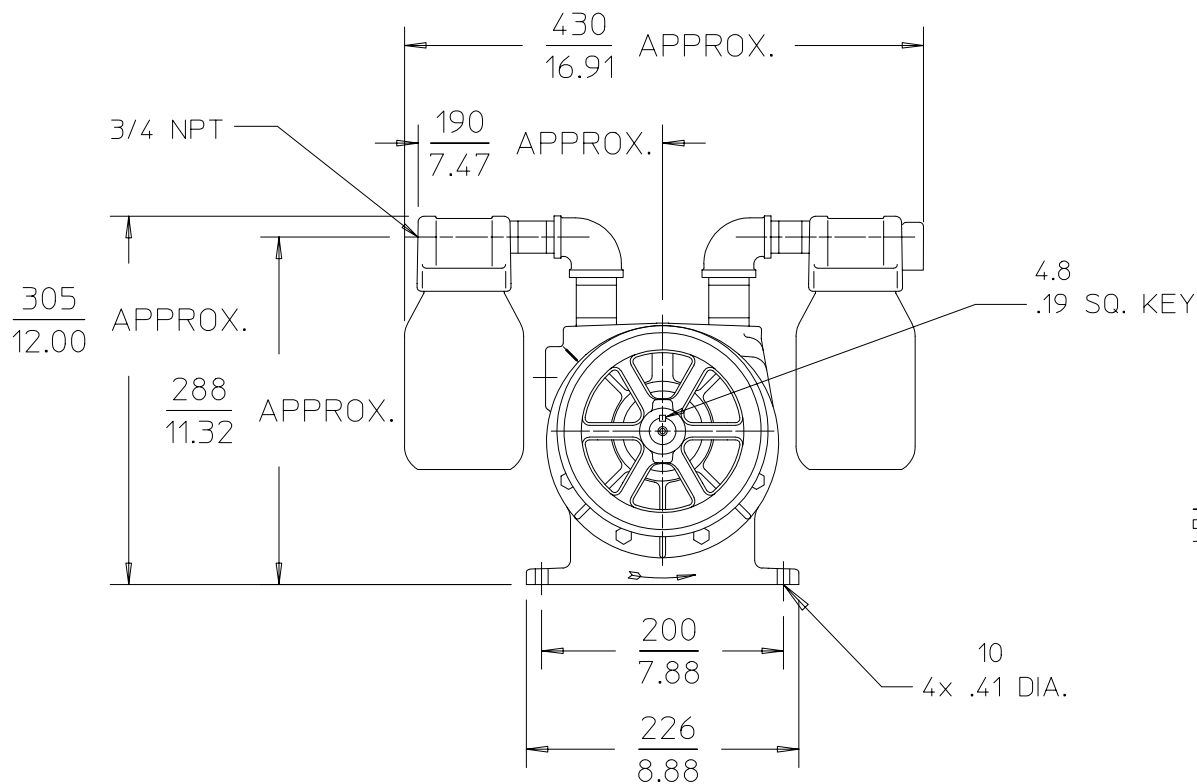
SOUND LEVEL 91 dB(A) MAX.
 NORMAL AMBIENT 1° C. - 40° C.
 RELATIVE HUMIDITY 8% - 100% NON CONDENSING
 ENVIRONMENT CLEAN DUST FREE

- NOTES:
 1. TECHNICAL DATA SUBJECT TO CHANGE WITHOUT NOTICE.
 2. DIMENSIONS: METRIC (mm), U.S. IMPERIAL (inches).
 3. * DENOTES INACTIVE MODEL.

Product Performance



DASHED LINE INDICATES INTERMITTENT PERFORMANCE ONLY.



MUFFLER ASS'Y, FILTER ASS'Y.
 NOT SHOWN THIS VIEW.