

GAST

86/87R Series

Oil-Less Rocking Piston
Compressor and Vacuum Pumps

Quietly setting the new standard.



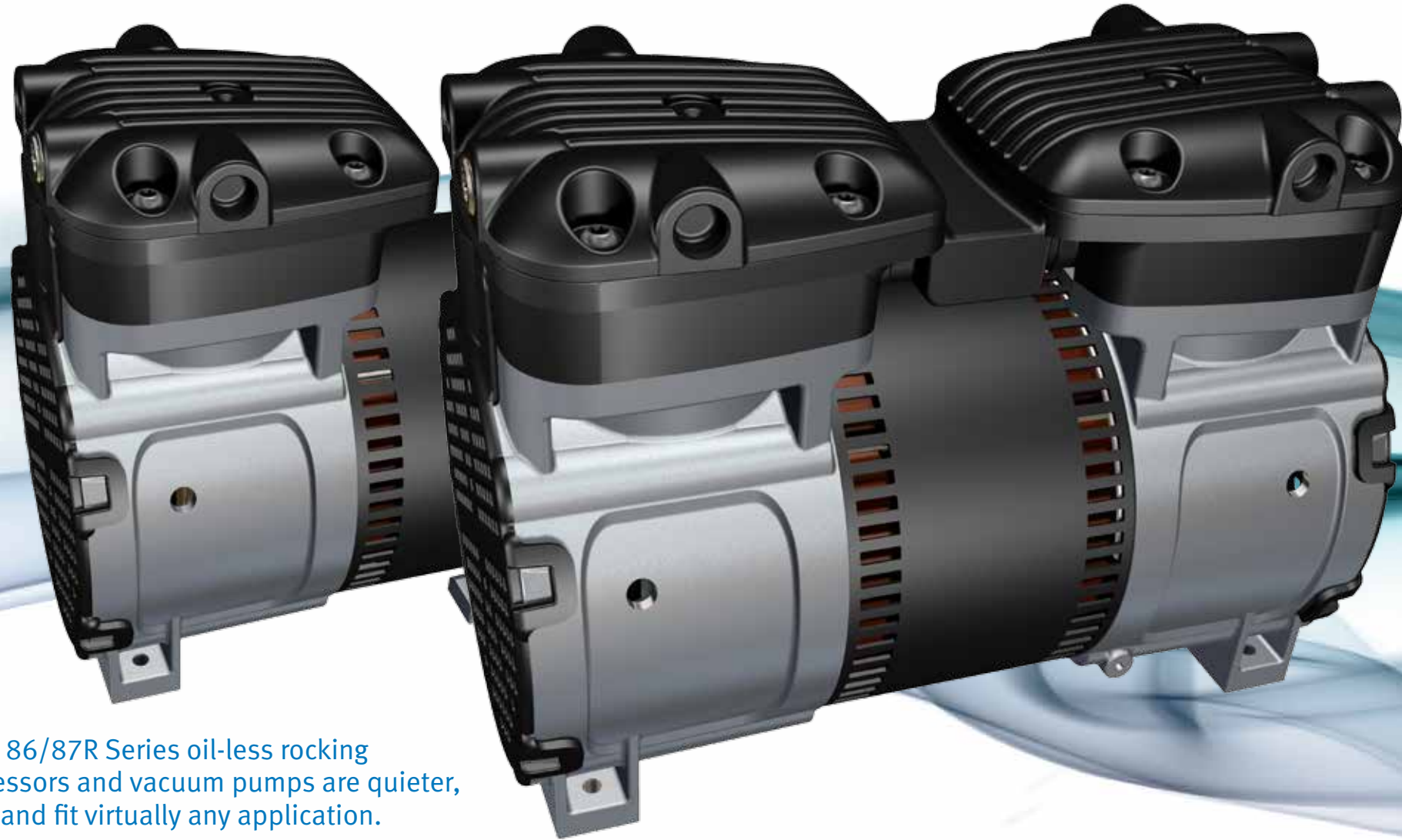


Setting the new standard in sound reduction, air pressure, design and flexibility.

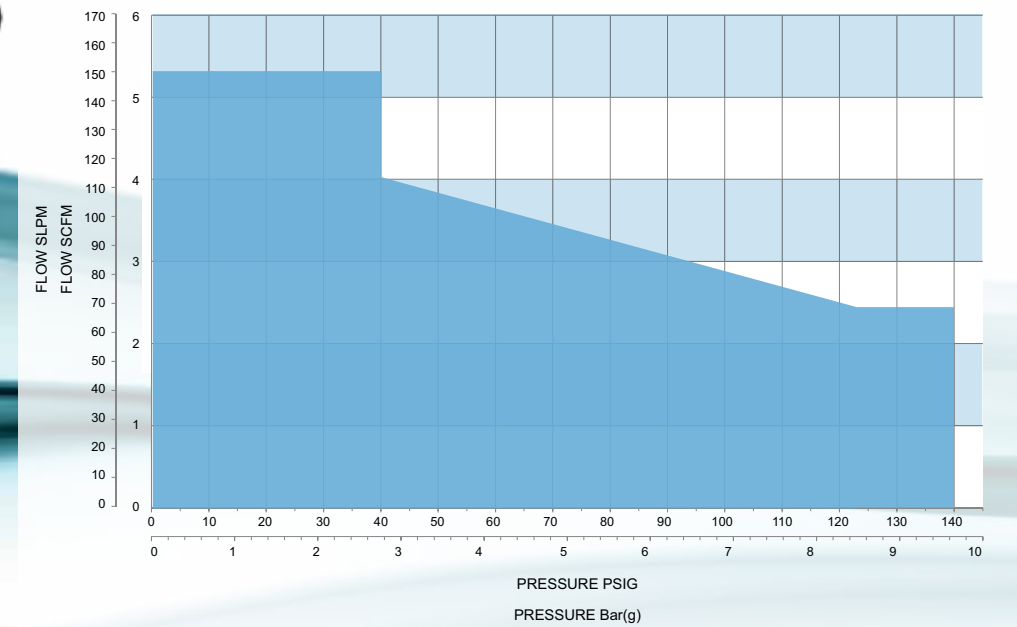
Designed to perform. Built to last.

When we set out to re-engineer our rocking piston compressor, we aimed to do more than just increase pressure. We set out to dramatically reduce sound, enhance flow, create a standard footprint for easy retrofit anywhere in the world and improve the compressor's aesthetics.

The results speak for themselves.



86-87R Performance Range



The NEW Gast 86/87R Series oil-less rocking piston compressors and vacuum pumps are quieter, more durable and fit virtually any application.

While other manufacturers have been busy selling rocking piston compressors that produce a lot of noise and less-than-ideal pressure, Gast has been quietly setting the new standard by re-engineering our oil-less rocking piston from the ground up. The result is a unit that delivers quieter performance, higher pressure, a longer life and greater application flexibility.

The sleek, new 86/87R Series is not just another pretty product. Its beauty runs deep as it performs in ways not yet seen in the industry. The patented crossover

chamber design regulates and controls airflow to dampen sound and optimize performance, while delivering a wide range of pressure level options.

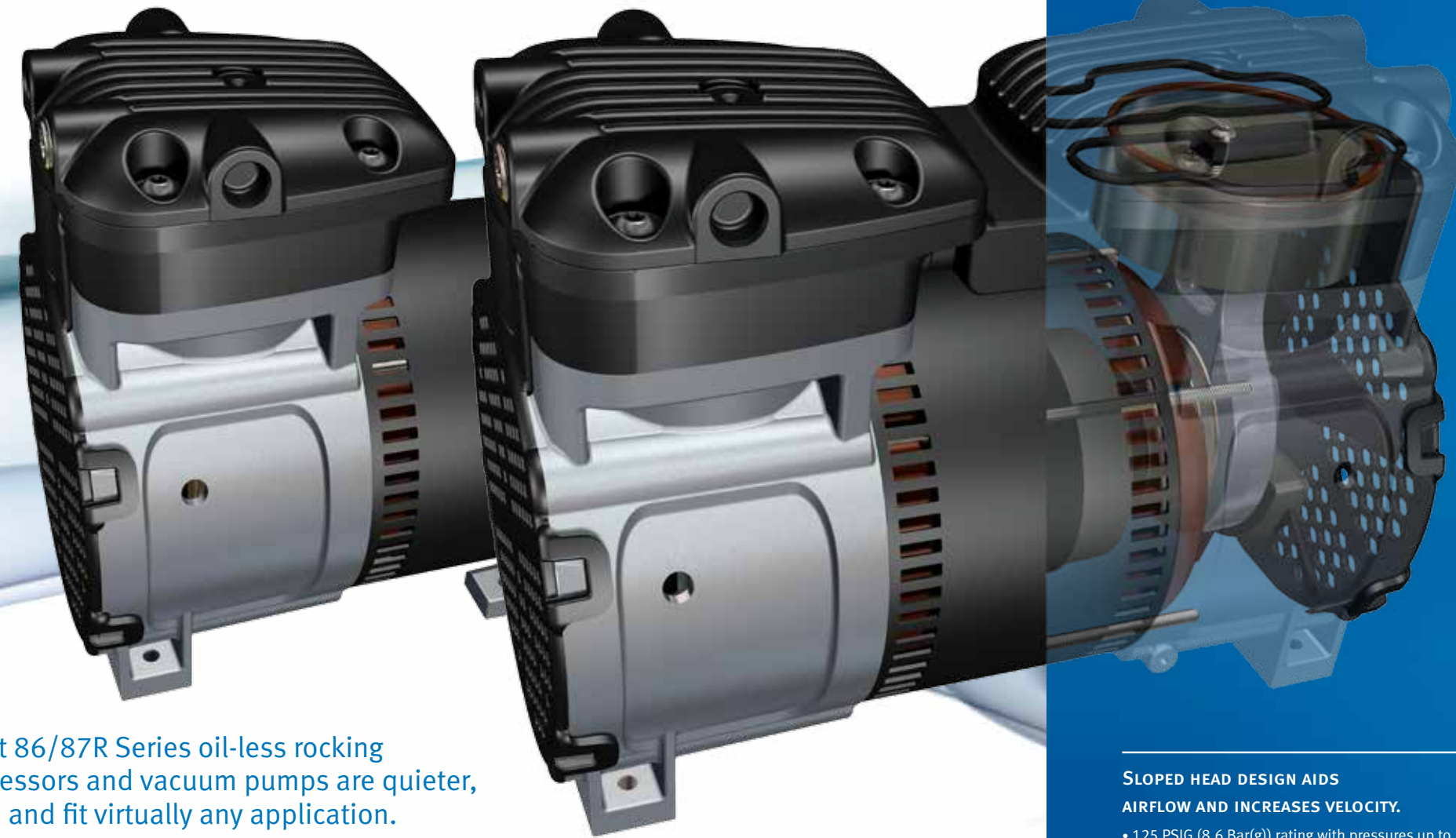
Because the 86/87R Series can easily retrofit into an existing footprint, it's also a smart, flexible solution for a wide range of markets.

- Environmental
- Food and beverage
- General industrial
- Transportation
- Medical
- Laboratory
- Printing and packaging
- Material handling

The inherent design of rocking piston technology makes it the optimal choice for applications requiring high pressure or vacuum and air flow in a small package. The flexible cup is made with superior materials and mounted on top of the connecting rod, creating vacuum or pressure while maintaining a tight seal against the cylinder walls in a rocking motion. The forging design has fewer components, causes less friction and has a low exhaust temperature, for greater reliability and durability for the life of the product. Despite its small size, the versatility of 86/87R means this is the right product to deliver quality air solutions.



Setting the new standard in sound reduction, air pressure, design and flexibility.



The NEW Gast 86/87R Series oil-less rocking piston compressors and vacuum pumps are quieter, more durable and fit virtually any application.

While other manufacturers have been busy selling rocking piston compressors that produce a lot of noise and less-than-ideal pressure, Gast has been quietly setting the new standard by re-engineering our oil-less rocking piston from the ground up. The result is a unit that delivers quieter performance, higher pressure, a longer life and greater application flexibility.

The sleek, new 86/87R Series is not just another pretty product. Its beauty runs deep as it performs in ways not yet seen in the industry. The patented crossover

chamber design regulates and controls airflow to dampen sound and optimize performance, while delivering a wide range of pressure level options.

Because the 86/87R Series can easily retrofit into an existing footprint, it's also a smart, flexible solution for a wide range of markets.

- Environmental
- Food and beverage
- General industrial
- Transportation
- Medical
- Laboratory
- Printing and packaging
- Material handling

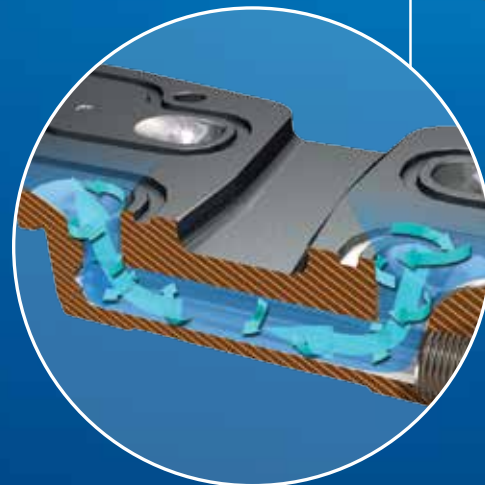
Re-engineered from the ground up.

SLOPED HEAD DESIGN AIDS

AIRFLOW AND INCREASES VELOCITY.

- 125 PSIG (8.6 Bar(g)) rating with pressures up to 150 PSIG (10.3 Bar(g))
- Allows equal distribution of stresses
- Smaller chamber cross sections reduce head bolt stress
- Thicker cross sections around chamber perimeters and baffles increase head strength
- Head bleeds allow for a higher PSIG regulatory rating

The patented crossover chamber design causes air to decelerate as it enters the crossover and accelerate as it exits, dampening sound and optimizing performance.



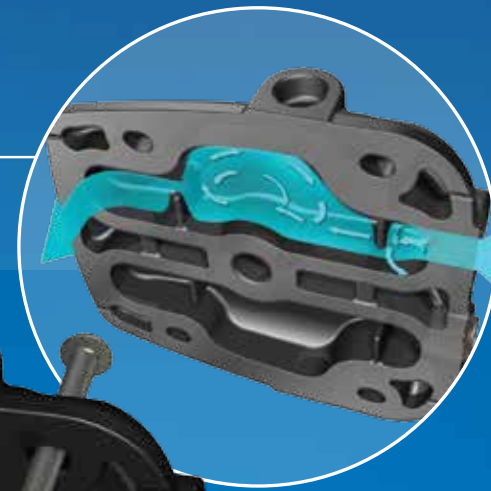
TWIN SEALS ALLOW HIGHER PRESSURE AND LESS NOISE.

- Intake and exhaust chambers each have their own seals
- Allows for higher flow at higher pressure

PATENT-PENDING CROSSOVER CHAMBER REDUCES SOUND THROUGH THE DISSIPATION OF SOUND ENERGY.

- Decelerates airflow entering the crossover
- Accelerates airflow exiting the crossover
- Changes airflow direction

The twin cylinder has 14 rooms with 8 baffles. More rooms decrease sound levels and their varied size attacks different sound frequencies.



86/87R Series
Oil-Less Rocking Piston
Compressor and Vacuum Pumps

What you don't see makes a big difference too.

TWIN DOMED HEADS.

- 14 rooms in a twin cylinder from eight baffles
- Six rooms in a single cylinder from four baffles
- More rooms decrease sound levels
- Rooms of varying size attack different frequencies

THICKER VALVE PLATE INCREASES STRENGTH.

- Thick plate surface reduces deflection
- Wrapping edge support increases strength and reduces deflection

FLEXIBLE DESIGN ENHANCES VERSATILITY.

- All-world motor
- Standard replacement footprint
- Common port locations
- Medical/open application compliant
- Single or double cylinder design

FULL METAL BODY INCREASES OVERALL STRENGTH.

- Integrated die cast construction increases overall strength
- Allows equal distribution of stresses

gastmfg.com/newsoundstandard

GAST

Gast Manufacturing, Inc.

Post Office Box 97
2300 M-139 Highway
Benton Harbor, Michigan 49023-0097
USA
Phone (+1) 269-926-6171
gastmfg.com/newsoundstandard

Gast Group Ltd.

Unit 11, The I O Centre
Nash Road
Redditch, B98 7AS
United Kingdom
Phone +44 (0)1527-504040

Gast Asia

Room 3502-3505
No. 1027 Changing Road, Zhaofeng Plaza
Shanghai, China 200050
Phone +86 21 52415599-303